

# FAST™ INSTALLATION INSTRUCTIONS

## MICRO-S MOUNT

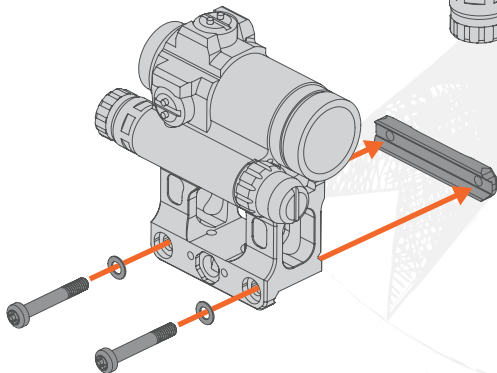
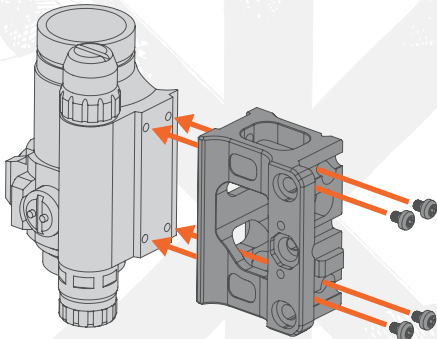


### ⚠️ ENSURE FIREARM IS UNLOADED

⚠️ **WARNING:** Over-torquing fasteners can damage your mount and will not be covered by warranty.

**1** Remove current mount from optic and set it aside.

**2** Using supplied mounting screws, install the optic to mount. Tighten the screws in an "X" pattern until they are finger tight. Then give each screw a 1/8 - 1/4 turn with the supplied wrench. **DO NOT EXCEED MANUFACTURER'S RECOMMENDED TORQUE SPEC.**



**3** If using Standard Rail Grabber Mount clamp, install the mount on weapon. Secure screws using a T25 bit driver. Lightly snug all screws before applying final torque to any. **TORQUE TO 35 IN-LBS.**