



GREYBIRCH **MFG.CO**

LaChassis 10 / 22

NOT YOUR ORDINARY COMPANY

All Grey Birch products are made with an obsessive focus on design and functionality.

When you purchase a Grey Birch product, not only are you supporting a small business directly, you are supporting many small businesses indirectly.

By manufacturing locally, it allows us to be as close to the process as possible to ensure the highest level of quality is achieved.

We are confident and proud to be putting out world class products that you can enjoy for a lifetime ... and then pass down to the next generation.

Welcome to the Grey Birch family.



We don't take ourselves too seriously, but one thing we don't mess around with is firearm safety.

Firearms Safety 101

- Assume every firearm is loaded.
- Control the muzzle direction at all times.
- Always point your firearm in a safe direction.

Remove the magazine from the firearm.

- Observe the chamber to ensure it is empty.
- Open the bolt and remove from the action if possible.
- Once your firearm has been proven safe you can begin modifying or cleaning.

Please ensure approved eye and ear protection is worn at all times.

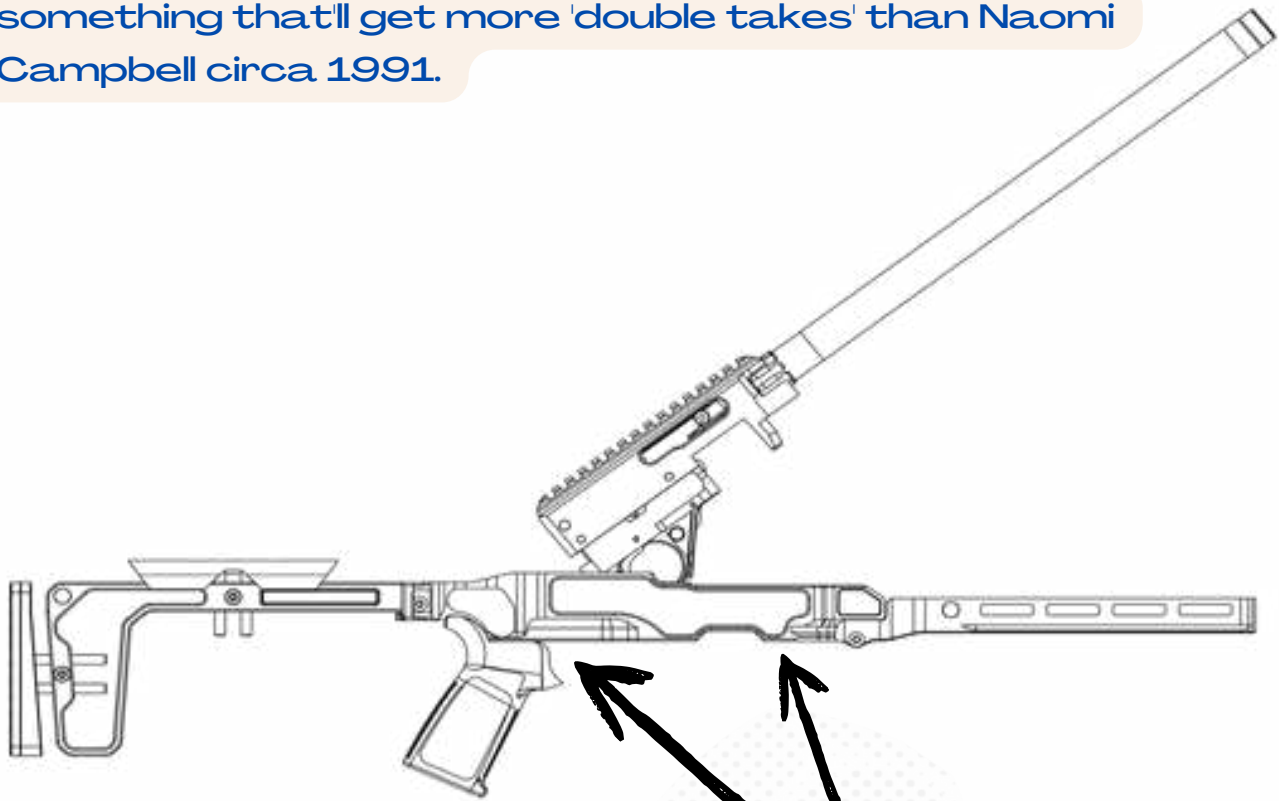
*Be aware of the laws in your country and region concerning overall rifle length and folding stocks. It is up to you — the end user to ensure you maintain compliance.

Grey Birch ships all stocks in the fixed position.



INSTALLING THE ACTION INTO THE CHASSIS

We already know you're a refined and discerning individual. How? Because you've made the phenomenal decision to purchase this chassis. It'll turn your basic 10/22 into something that'll get more 'double takes' than Naomi Campbell circa 1991.



Action Screws

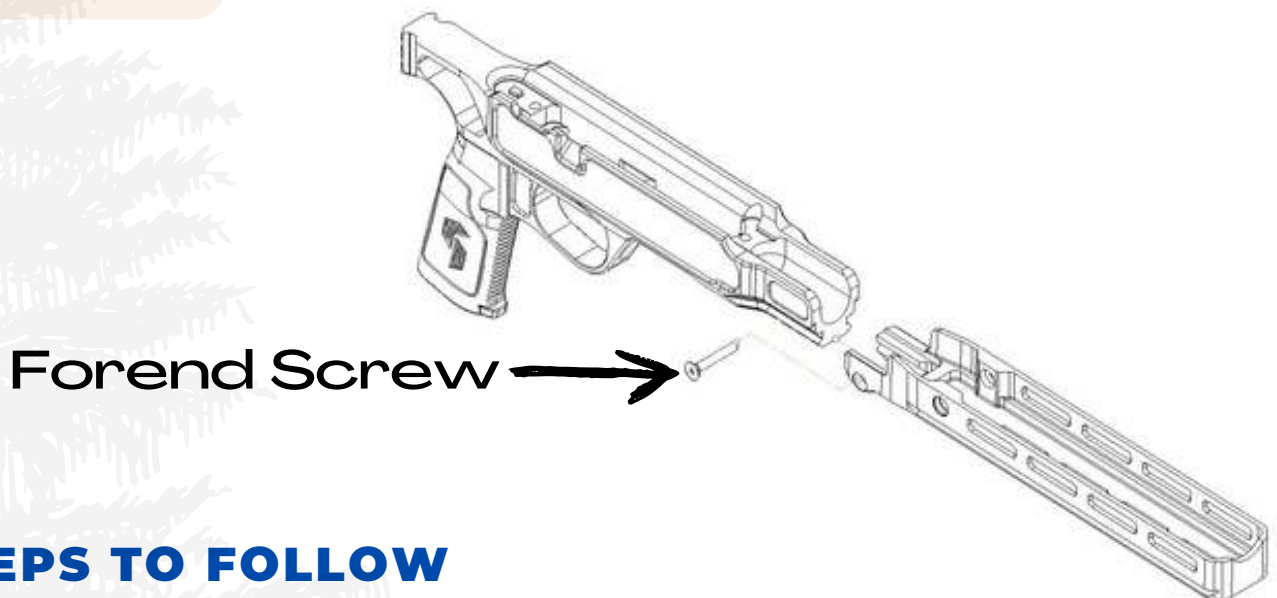
STEPS TO FOLLOW

- Place the rear of the receiver into the stock, sliding the trigger in first. Ensure the safety button is centered in the trigger housing as it may hang up the trigger group seating in the stock. You may need to slightly wiggle it while sliding it on.
- Once the trigger is inserted, gently drop the barrel down into the stock. Once the action is firmly seated, tighten the action screw.
- Using a 5/32" hex, tighten the action screw to 25 in/lb.
- With the barreled action inside the chassis and the action screw installed, hand tighten the rear set screw using a 3/32" hex at the rear of the chassis. Do not over tighten as it can damage your trigger group.
- With the first set screw in, screw in the second set screw to 15 in/lb. These screws act as a secondary tension point for securing the receiver snugly in the chassis.

INSTALLING/ REMOVING THE FOREND

DID YOU KNOW

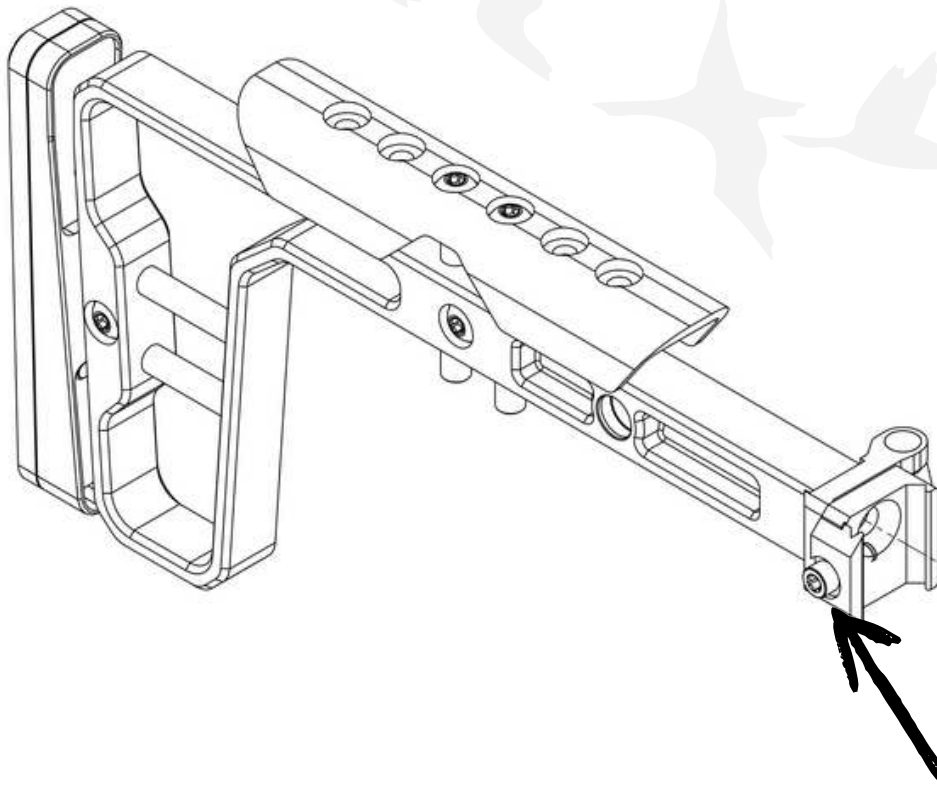
The founders of Grey Birch grew up shooting with their fathers and grandfathers - bonafide 3rd generation plinkers.



STEPS TO FOLLOW

- Slide the forend over the dove tail on the front of the chassis.
- You may need to slightly wiggle it while sliding it on. ("That's what she said" - Michael G. Scott)
- When the forend is in place, install the screw using a 3/32" hex key and tighten to 15 in/lbs.
- Do not over tighten as it may damage the threads of the forend.
- To remove the forend, follow these steps in reverse.

INSTALLING/ REMOVING THE STOCK



Adapter Clamp
Screw

STEPS TO FOLLOW

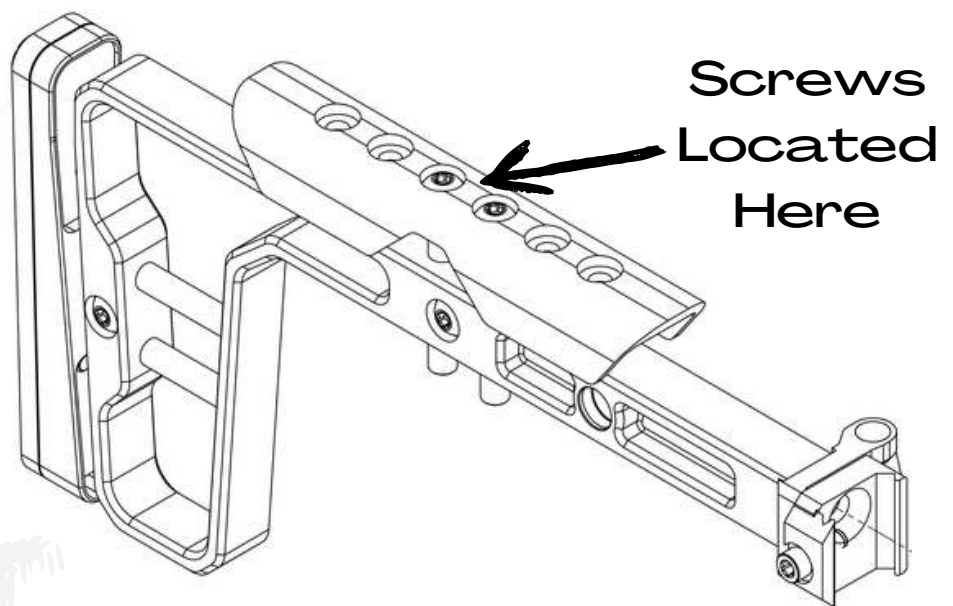
- Using a 3/32" hex key, loosen the screw until the claw opens enough to clear the picatinny mounting face.
- To install, tighten the screw until the claw closes on the picatinny mounting face.
- Continue to tighten the screw until the stock is secure to the chassis.
- Tighten to 15 in/lbs.



ADJUSTING THE CHEEK WELD LOCATION

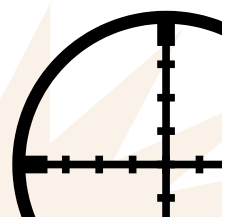
DID YOU KNOW

The founders of Grey Birch are diehard fans of sport shooting -- the only problem? They can barely hit a beach ball at 50 yds.

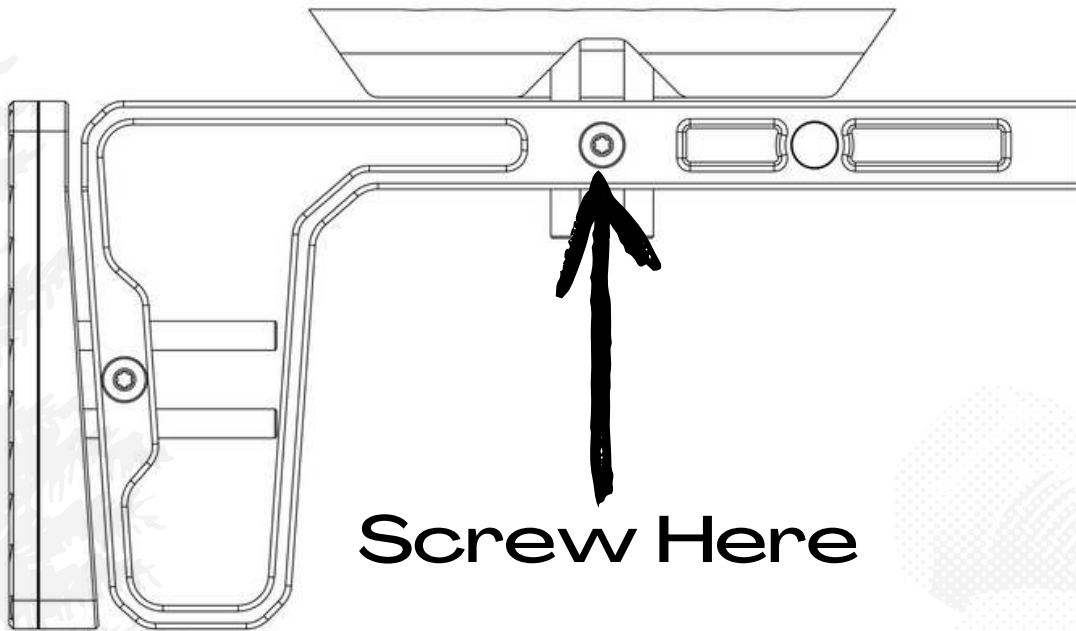


STEPS TO FOLLOW

- Using a 1/8" hex key, remove the two screws on the top of the cheek weld. Don't lose those pillars.
- With the screws removed, shift the position of the cheek weld forward or backwards as desired.
- With the cheek weld in position, tighten the two screws through the cheek weld into the pillars behind it.
- Hand tighten only.

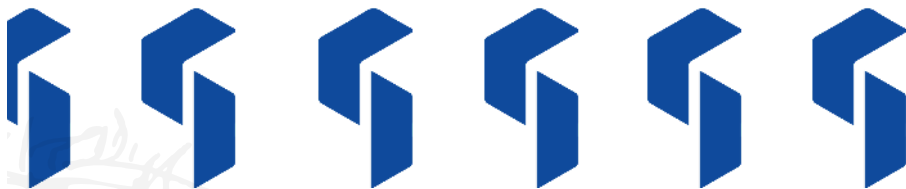


ADJUSTING THE CHEEK WELD HEIGHT

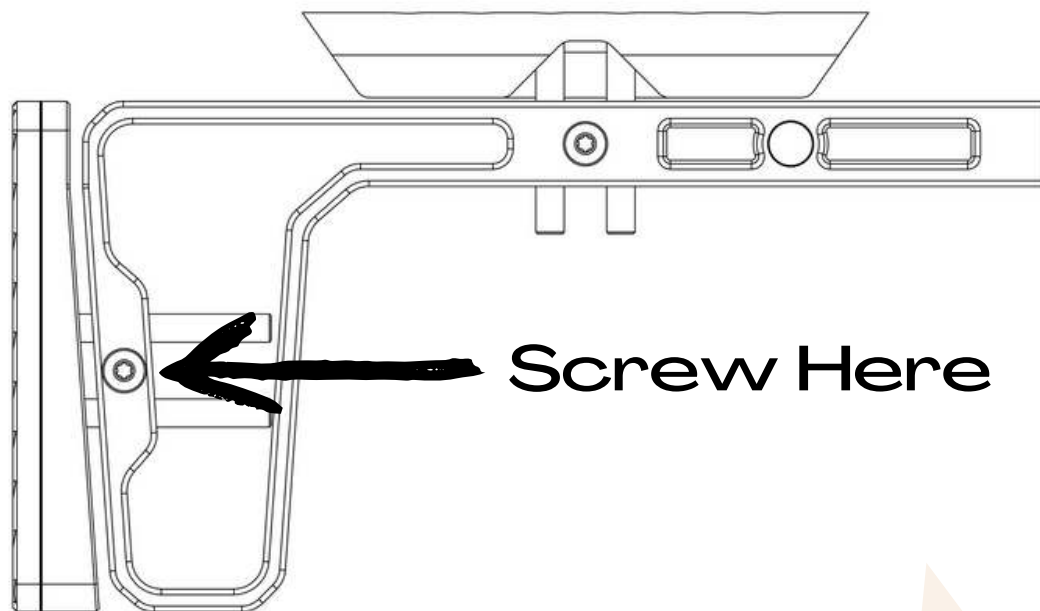


STEPS TO FOLLOW

- Using a 1/8" hex key, loosen off the screw to allow vertical movement of the check weld.
- When the desired height is achieved, tighten the screw to hand tight.
- Do not over tighten as it can damage the threads on the backer plate.
- Tighten to max 15 in/lbs.



ADJUSTING LENGTH OF PULL



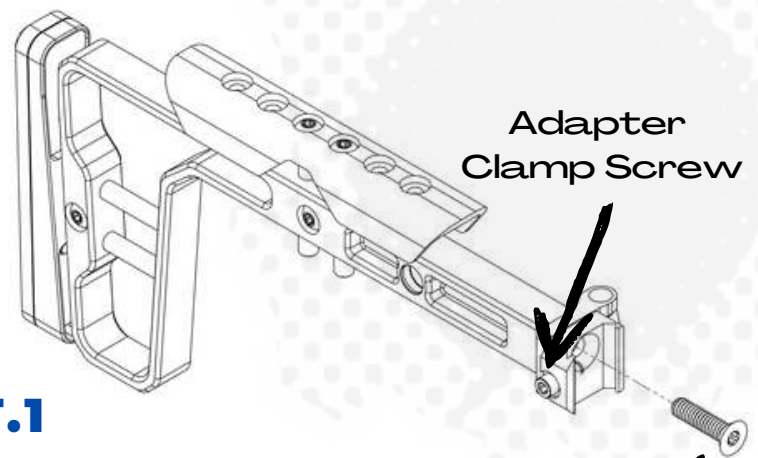
STEPS TO FOLLOW

- Using a 1/8" hex key, loosen off the screw to allow horizontal movement of the shoulder plate.
- When the desired length of pull is achieved, tighten the screw to hand tight.
- Do not over tighten as it can damage the threads on the backer plate.
- Tighten to 15 in/lbs.

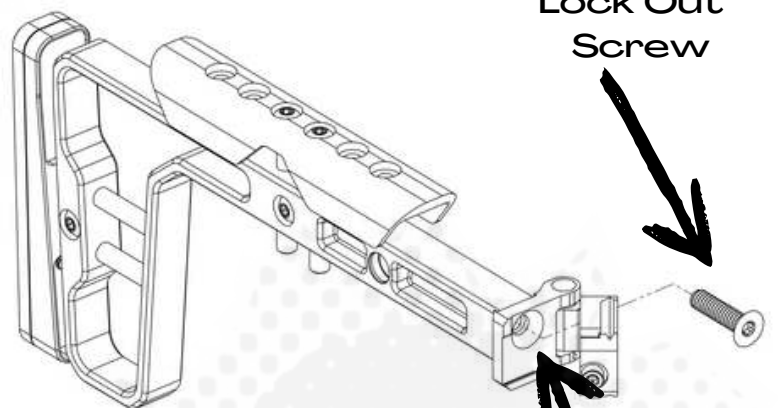
STOCK CHANGE: FIXED TO FOLDING

STEPS TO FOLLOW PT.1

- Remove the stock from the chassis by unscrewing the adapter clamp screw using a $3/32$ " hex key.
- Once stock is removed, unscrew the lock out screw using a $5/32$ " hex key.
- Once complete, the stock is now folding enabled.



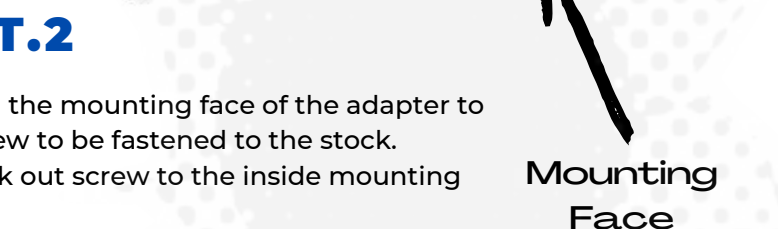
Lock Out
Screw



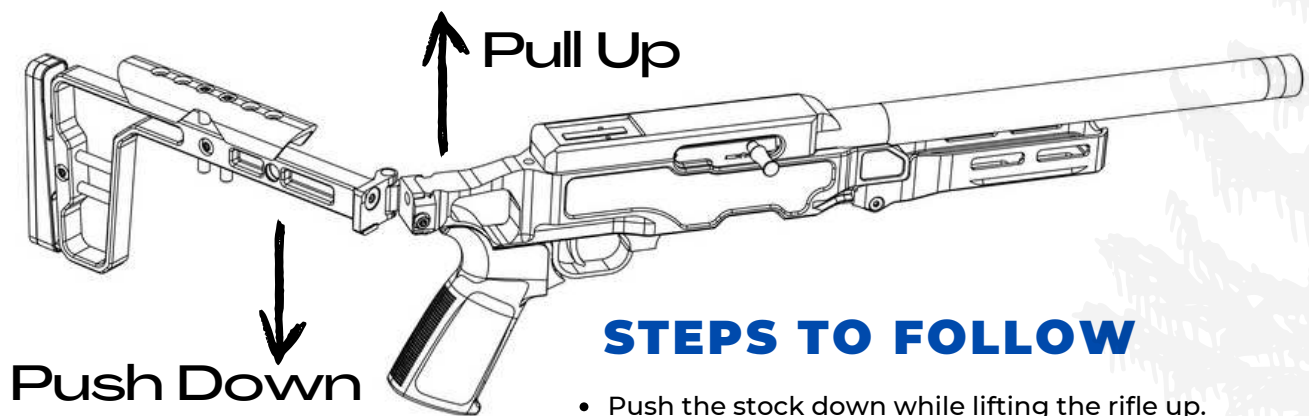
STEPS TO FOLLOW PT.2

- Now with the lock out screw removed, open the mounting face of the adapter to reveal a second location for the lock out screw to be fastened to the stock.
- Using the same $5/32$ " hex key, fasten the lock out screw to the inside mounting face. Tighten to 40 in/lbs.
- This will allow the stock to open and close as required.
- Over time, the lock out screw may need re-tightening.

Mounting
Face

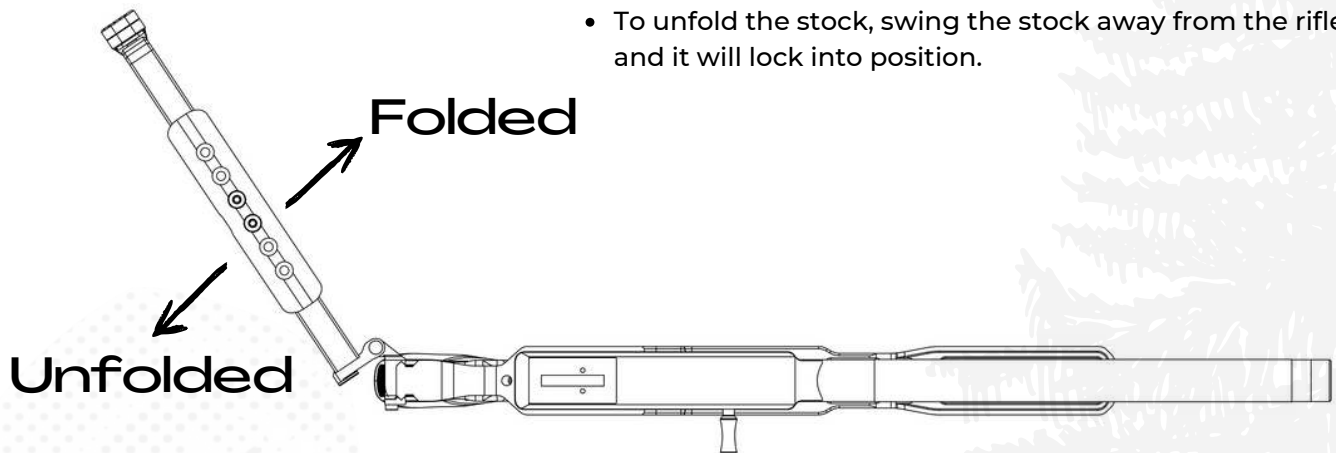


OPERATING THE FOLDING STOCK



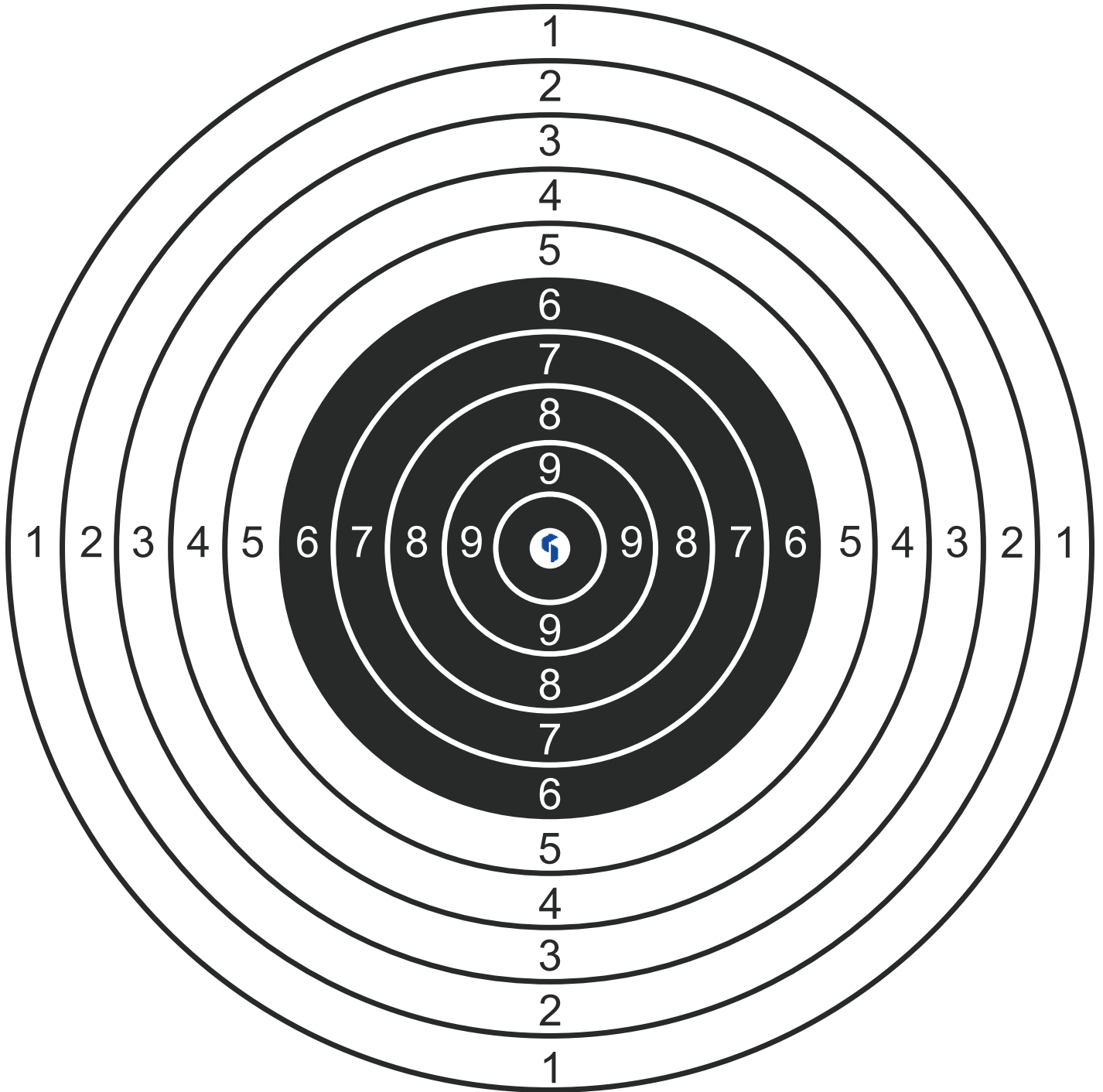
STEPS TO FOLLOW

- Push the stock down while lifting the rifle up.
- The stock will swing towards the rifle into the folded position.
- To unfold the stock, swing the stock away from the rifle and it will lock into position.



DID YOU KNOW

Grey birches were a favourite tree of the grandfather of one of the company founders.





WE ALL KNOW...

After reading a user manual once it goes to the trash. Instead pin this bad boy up & enjoy the sub .5" groups.



GEBMFG.CO

  @greybirchsolutions

Ruger 10/22® is a registered trademark of Sturm, Ruger & Co. Inc.