



GREYBIRCH **MFG.CO**

LaChassis TKD

NOT YOUR ORDINARY COMPANY

All Grey Birch products are made with an obsessive focus on design and functionality.

When you purchase a Grey Birch product, not only are you supporting a small business directly, you are supporting many small businesses indirectly.

By manufacturing locally, it allows us to be as close to the process as possible to ensure the highest level of quality is achieved.

We are confident and proud to be putting out world class products that you can enjoy for a lifetime ... and then pass down to the next generation.

Welcome to the Grey Birch family.



We don't take ourselves too seriously, but one thing we don't mess around with is firearm safety.

Firearms Safety 101

- Assume every firearm is loaded.
- Control the muzzle direction at all times.
- Always point your firearm in a safe direction.

Remove the magazine from the firearm.

- Observe the chamber to ensure it is empty.
- Open the bolt and remove from the action if possible.
- Once your firearm has been proven safe you can begin modifying or cleaning.

Please ensure approved eye and ear protection is worn at all times.

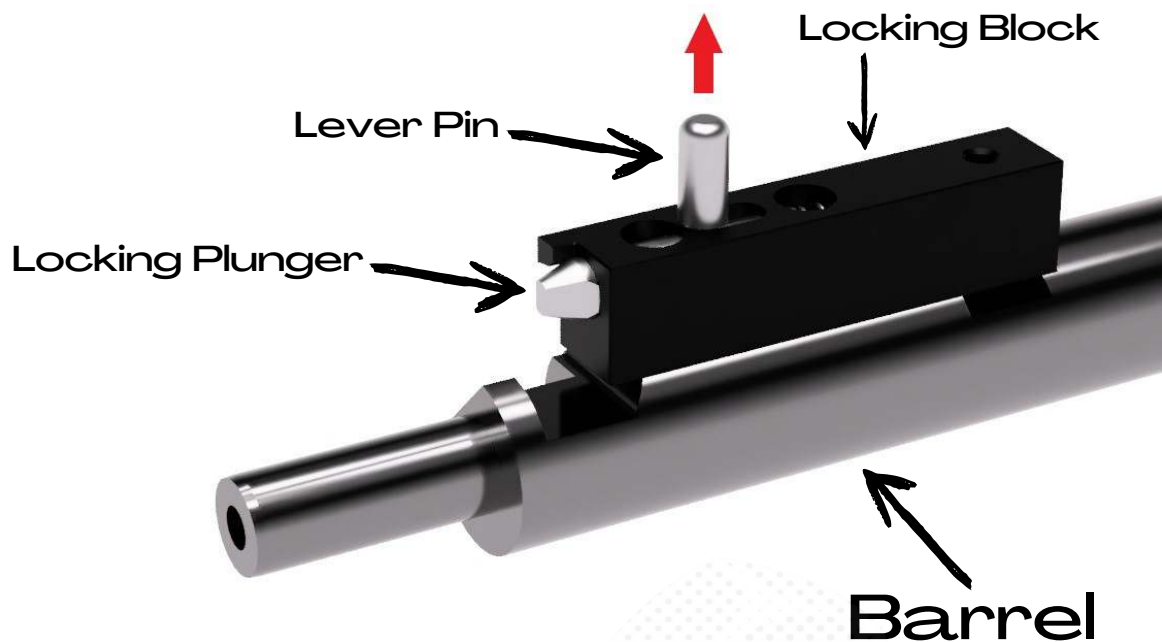
*Be aware of the laws in your country and region concerning overall rifle length and folding stocks. It is up to you — the end user to ensure you maintain compliance.

Grey Birch ships all stocks in the fixed position.



10/22 FOREND DISASSEMBLY

We already know you're a refined and discerning individual. How? Because you've made the phenomenal decision to purchase this chassis. It'll turn your basic 10/22 into something that'll get more 'double takes' than Claudia Schiffer circa 1994.



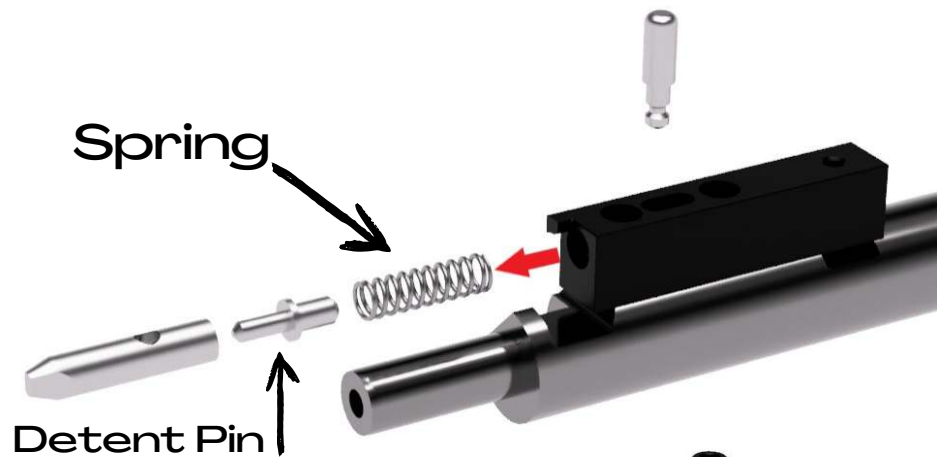
STEPS TO FOLLOW

- To start disassembling your 10/22 takedown, undo the single screw located on the underside of the forend and remove the barrel and locking assembly. The barrel and locking assembly is pictured in the image to the right.
- The original locking block will not be used with LaChassis TKD, however, the internal components of the block will be installed directly into the LaChassis TKD forend.
- Firmly pull up on the lever pin to remove it. The lever pin retains the locking plunger and spring in the locking block.
- The plunger is under spring pressure and will shoot out of the locking block when the lever pin is removed unless it is held in place with your thumb. Be careful you do not lose any parts ... or your eye. "You'll shoot your eye out kid".

LOCKING MECHANISM DISASSEMBLY

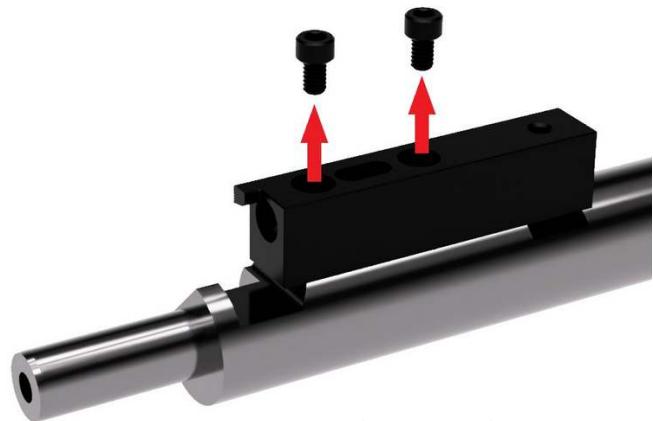
DID YOU KNOW

The founders of Grey Birch grew up shooting with their fathers and grandfathers - bonafide 3rd generation plinkers.

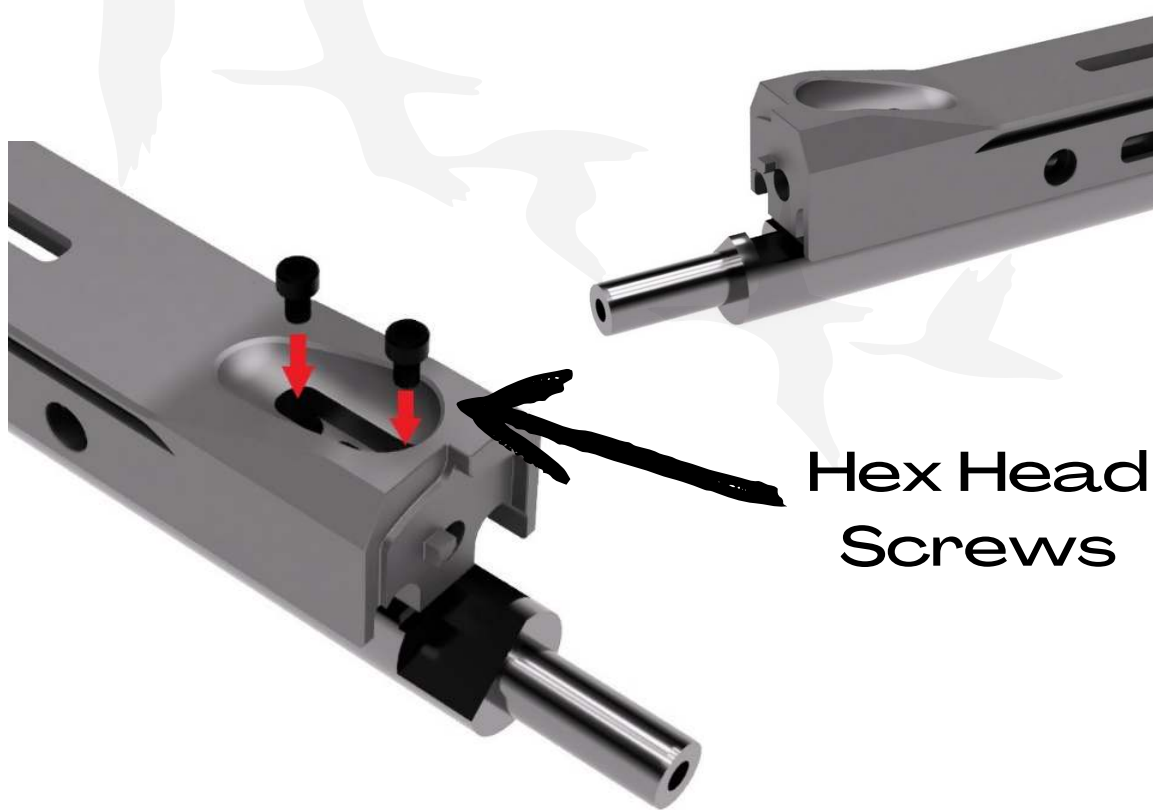


STEPS TO FOLLOW

- With the lever pin removed, the plunger, detent pin, and spring will simply slide out of the locking block.
- Unless of course you failed to keep your thumb on the plunger and launched them across the room.
- If so, happy hunting. Keep these parts safe for later.
- Next, remove the two screws holding the locking block to the barrel with a 9/64 hex.
- These screws will be used later, however the locking block will no longer be needed.

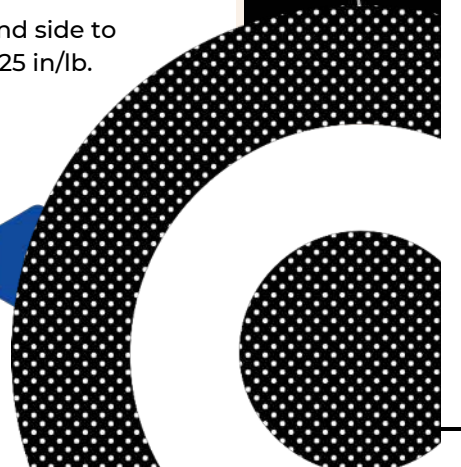


INSTALLING THE FOREND



STEPS TO FOLLOW

- Place the forend on the barrel as shown, being careful to line up the mounting holes with the holes in the barrel.
- Insert the 9/64 hex head screws you removed from the original locking block into the mounting holes on the forend.
- Very gently snug the screws first so that you can still wiggle the forend side to side. Align the forend nice and straight on the barrel, then torque to 25 in/lb.



INSTALLING THE LOCKING MECHANISM



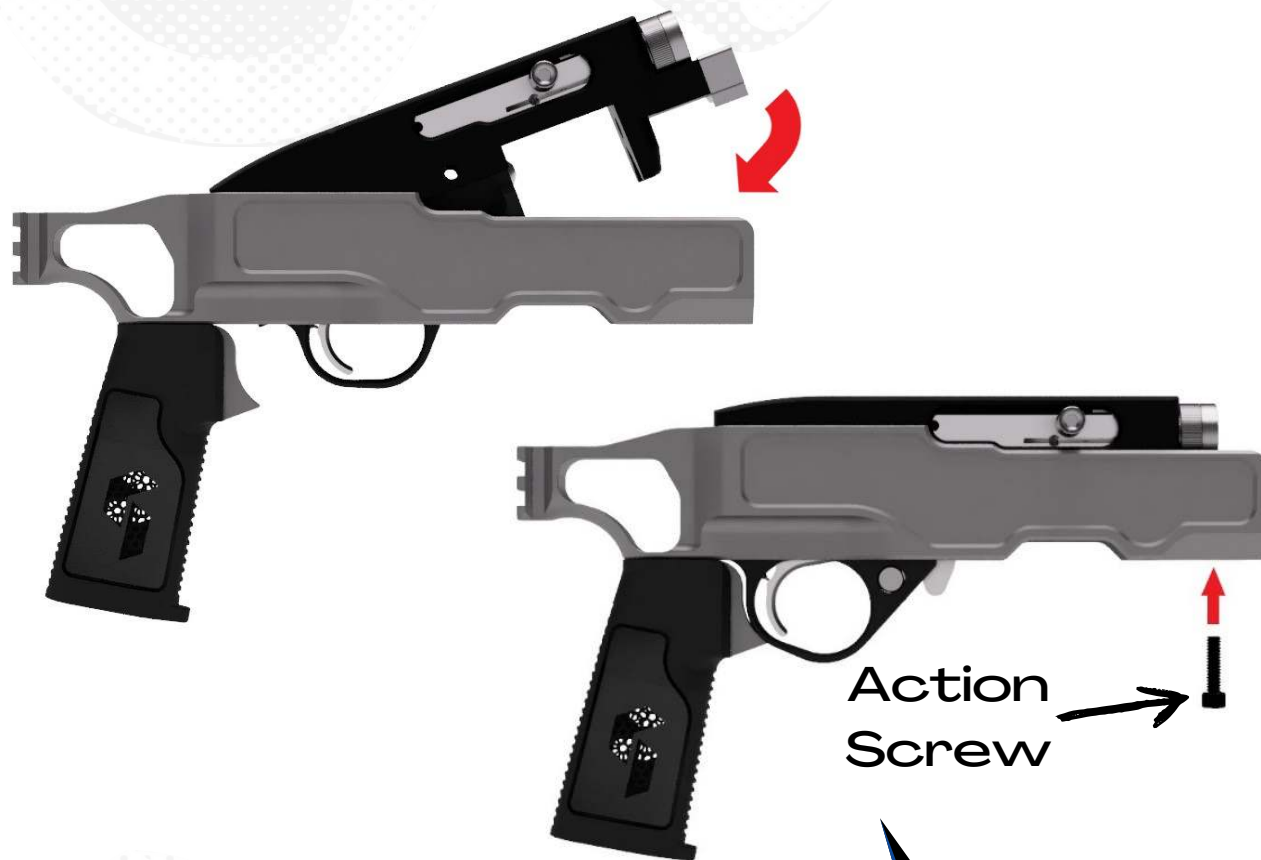
STEPS TO FOLLOW

- With the screws torqued to spec, you can now reinstall the spring, detent pin, and locking plunger into the forend.
- Make sure the lever pin hole in the plunger is aligned with the lever pin slot in the forend.
- Compress the plunger so that the lever pin hole is visible in the lever pin slot.
- Insert the lever pin into the hole and push it firmly until it snaps into place.
- The forend installation is complete.

DID YOU KNOW

The founders of Grey Birch have over 40 years in the manufacturing industry, starting out in aerospace.

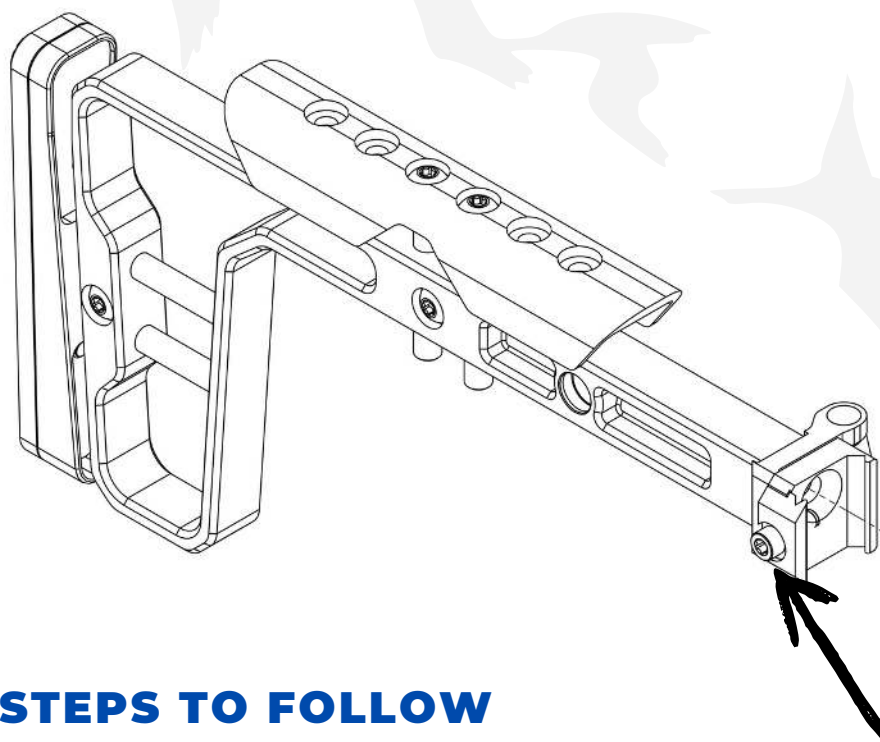
INSTALLING THE RECEIVER



STEPS TO FOLLOW

- Remove the Receiver from the original stock by undoing the single screw in front of the magazine well.
- Pull up firmly on the receiver to separate it from the stock.
- To install, place the rear of the receiver into LaChassis TKD first (as shown in the top image), and then drop the front end down into place.
- Insert the supplied action screw into the hole just in front of the magazine well and torque to 25 in/lb using a 5/32" hex.

INSTALLING/ REMOVING THE STOCK



Adapter Clamp
Screw

STEPS TO FOLLOW

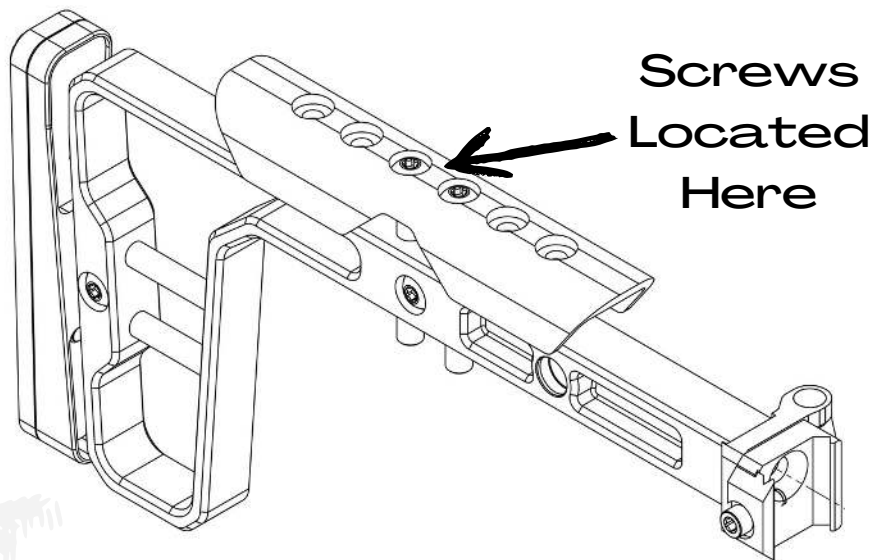
- Using a $3/32$ " hex key, loosen the screw until the claw opens enough to clear the picatinny mounting face.
- To install, tighten the screw until the claw closes on the picatinny mounting face.
- Continue to tighten the screw until the stock is secure to the chassis. Tighten to 15 in/lbs.



ADJUSTING THE CHEEK WELD LOCATION

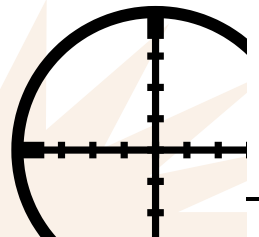
DID YOU KNOW

The founders of Grey Birch are diehard fans of sport shooting -- the only problem? They can barely hit a beach ball at 50 yds.

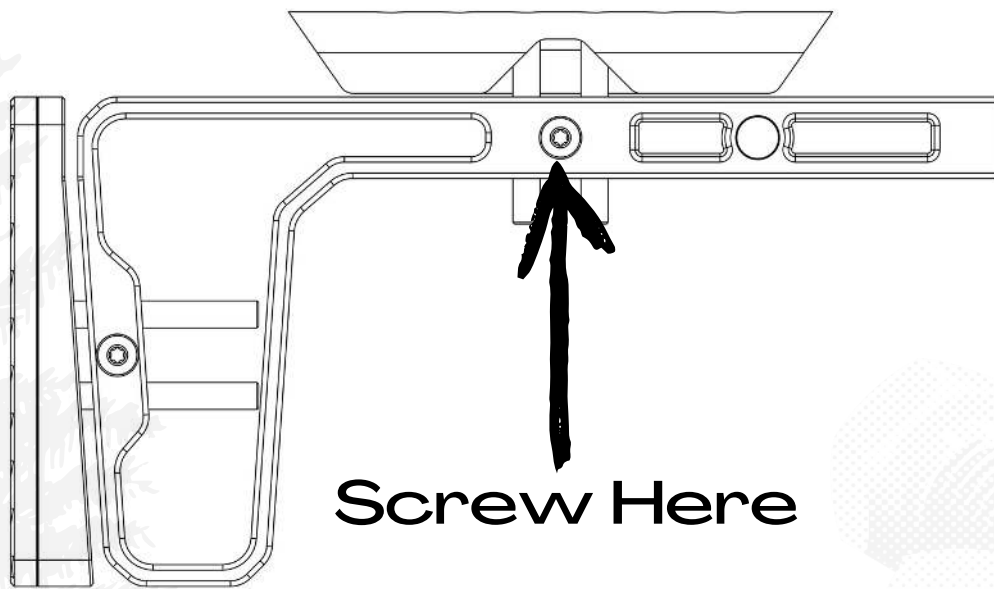


STEPS TO FOLLOW

- Using a 1/8" hex key, remove the two screws on the top of the cheek weld. Don't lose those pillars.
- With the screws removed, shift the position of the cheek weld forward or backwards as desired.
- With the cheek weld in position, tighten the two screws through the cheek weld into the pillars behind it.
- Hand tighten only.



ADJUSTING THE CHEEK WELD HEIGHT

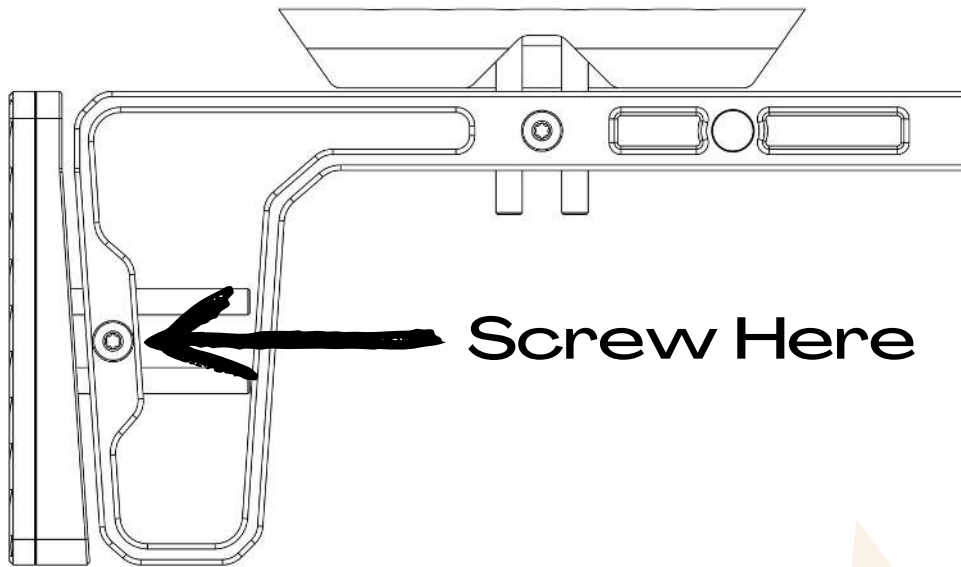


STEPS TO FOLLOW

- Using a 1/8" hex key, loosen off the screw to allow vertical movement of the check weld.
- When the desired height is achieved, tighten the screw to hand tight.
- Do not over tighten as it can damage the threads on the backer plate.
- Tighten to max 15 in/lbs.



ADJUSTING LENGTH OF PULL



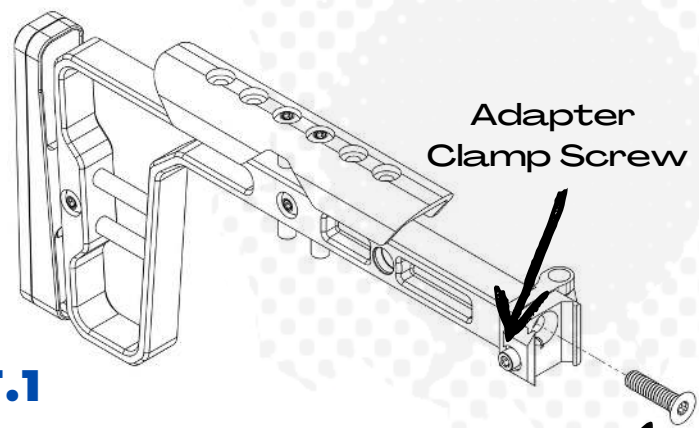
STEPS TO FOLLOW

- Using a 1/8" hex key, loosen off the screw to allow horizontal movement of the shoulder plate.
- When the desired length of pull is achieved, tighten the screw to hand tight.
- Do not over tighten as it can damage the threads on the backer plate.
- Tighten to 15 in/lbs.

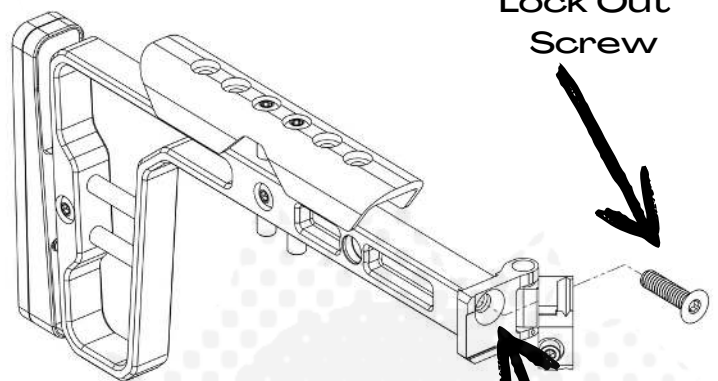
STOCK CHANGE: FIXED TO FOLDING

STEPS TO FOLLOW PT.1

- Remove the stock from the chassis by unscrewing the adapter clamp screw using a 3/32" hex key.
- Once stock is removed, unscrew the lock out screw using a 5/32" hex key.
- Once complete, the stock is now folding enabled.



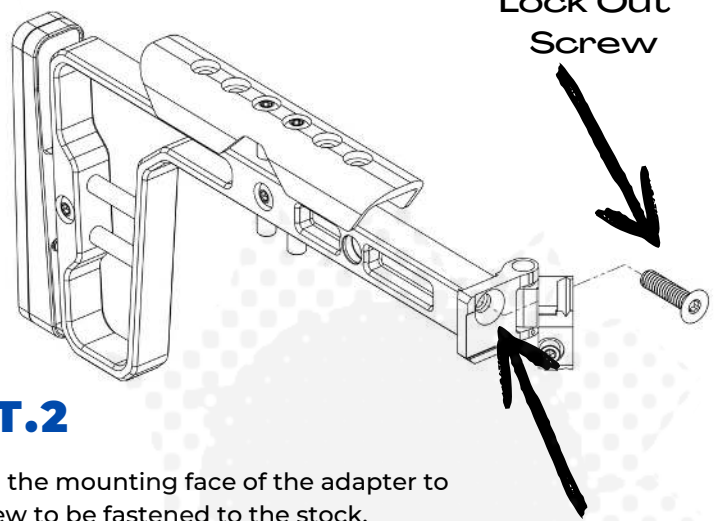
Lock Out
Screw



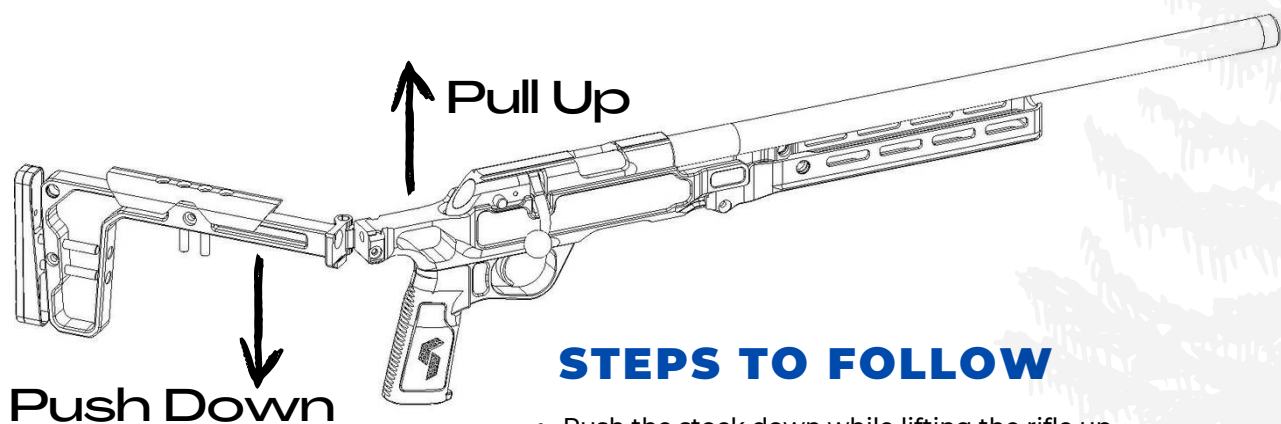
STEPS TO FOLLOW PT.2

- Now with the lock out screw removed, open the mounting face of the adapter to reveal a second location for the lock out screw to be fastened to the stock.
- Using the same 5/32" hex key, fasten the lock out screw to the inside mounting face. Tighten to 40 in/lbs.
- This will allow the stock to open and close as required.
- Over time, the lock out screw may need re-tightening.

Mounting
Face

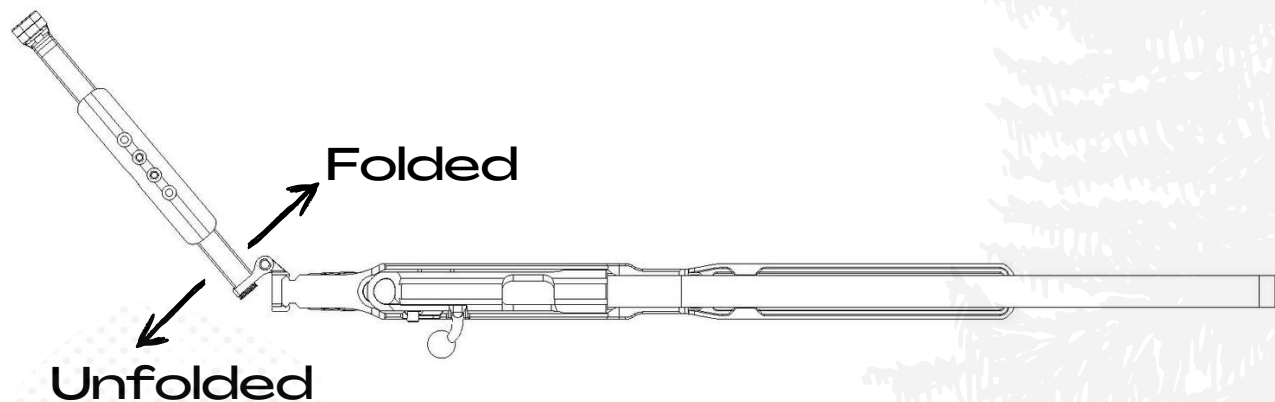


OPERATING THE FOLDING STOCK



STEPS TO FOLLOW

- Push the stock down while lifting the rifle up.
- The stock will swing towards the rifle into the folded



DID YOU KNOW

Grey birches were a favourite tree of the grandfather of one of the company founders.



GEBMFG.CO

  @greybirchsolutions