

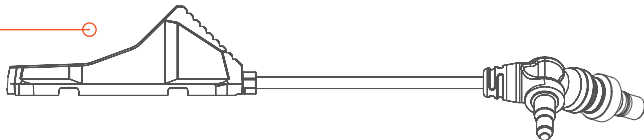
# AXON™



 **UNITY™**

# CONTENTS

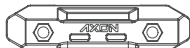
One (1) AXON™ Control Module



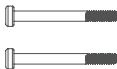
One (1) Rail Clamp A (Round Holes)



One (1) Rail Clamp B (Hex Holes)



Two (2) Cross Bolts



Two (2) Hex Nuts



One (1) AXON™ Screw PLug





**WARNING: ENSURE FIREARM IS UNLOADED**

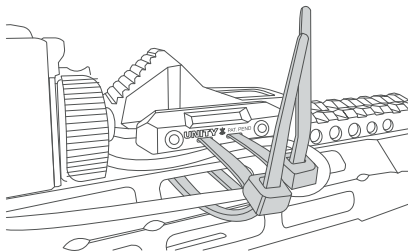


**CAUTION:** OVER-TORQUING FASTENERS CAN DAMAGE YOUR MOUNT AND WILL NOT BE COVERED BY WARRANTY.



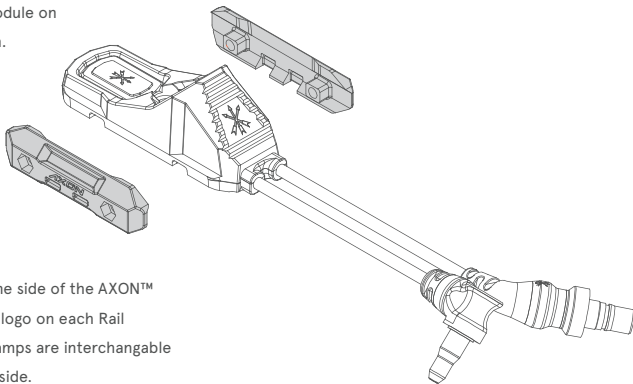
### NOTE

If using mini zip ties (sold separately) for cable management, install them prior to placing assembly on rail. Secure zip ties in loose loop for now.



1

Place the AXON™ Control Module on M1913 Rail in desired location.

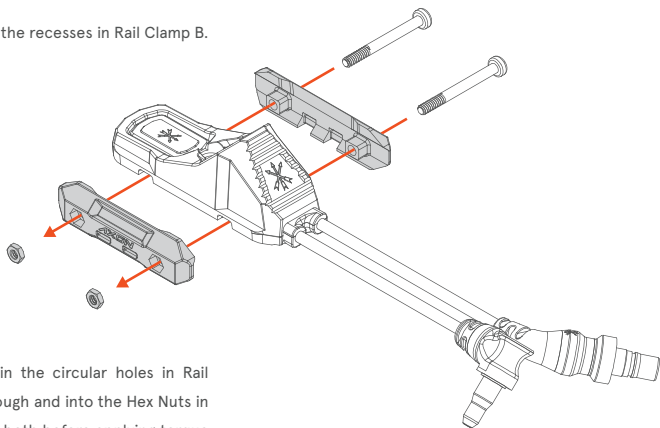


2

Align the Rail Clamps along the side of the AXON™ Control Module ensuring the logo on each Rail Clamp is upright. The Rail Clamps are interchangeable and can be placed on either side.

3

Fully seat the Hex Nuts in the recesses in Rail Clamp B.

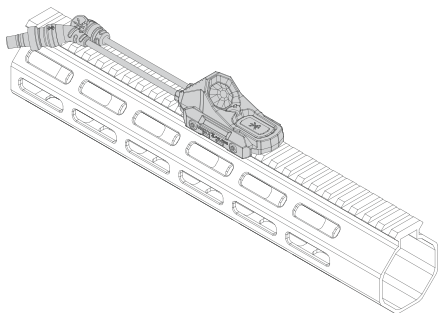


4

Thread the Cross Bolts in the circular holes in Rail Clamp A via the pass-through and into the Hex Nuts in Rail Clamp B. Finger tight both before applying torque to either. **Torque to 5 in-lbs (0.57 Nm).**

5

Route cables from AXON™ to devices and fully seat plugs in sockets. Avoid sharp bends and routing over extreme heat areas and sharp edges. If using zip tie loops for cable management, carefully pass slack cable through loops and tighten ties.



INFO@UNITYTACTICAL.COM

©2022 UNITY Tactical. All Rights Reserved.  
Specifications subject to change without notice. PATENT PENDING

