

ELECTRO-OPTICS

FOXTROT2R™

PISTOL MOUNTED WHITE LIGHT

OPERATOR'S MANUAL

SIG SAUER®



TABLE OF CONTENTS

Introduction	3
Contents:	4
Key Features:	5
Product Identification:	6
Battery Installation or Removal	7
Recharging 16340 High-Capacity Li-ion Rechargeable Battery	9
Selecting The Proper Rail Interface Insert	10
Activation Paddle Installation	15
Installation	19
Operation	22
Cleaning and Maintenance	24
Specifications	25
SIG SAUER Electro-Optics Infinite Guarantee [®] /Limited Lifetime Warranty	28
SIG SAUER Electronic Component Limited 5-Year Warranty	30

Scan the QR code to visit sigsauer.com where you will find additional information about SIG SAUER products, SIG SAUER Academy and the SIG Experience Center, Special Programs, and additional support.



INTRODUCTION

The FOXTROT2R™ is a compact yet powerful pistol mounted white light that is perfect for concealed carry, home defense, and duty use. The FOXTROT2R is compatible with any firearm that uses a MIL-STD 1913 rail, as well as many other pistols on the market.

The FOXTROT2R is covered by the SIG SAUER Electro-Optics Infinite Guarantee and Electronics Component Limited 5-Year Warranty.





CONTENTS:

- FOXTROT2R™ Tactical White Light
- 16340 High-Capacity Li-ion Rechargeable Battery (Qty 2), With Micro-USB Charging Port
- Micro-USB Charging Cable
- 6 Pairs of Paddles for User Configurable Activation
- Rail Interface Insert (to fit MIL-STD 1913 rail, marked "M1913")
- Rail Interface Insert (to fit non-MIL-STD 1913 rail, marked "OTHER")
- 2 Paddle Screws
- 3 E-Clips
- Torx™ T8 Wrench
- E-Clip Removal/Installation Tool

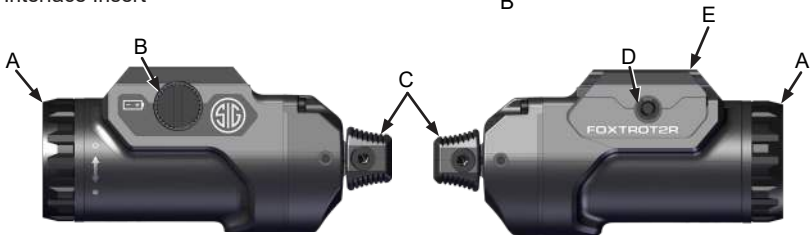
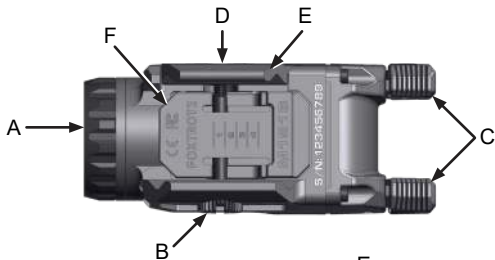
KEY FEATURES:

- 700 Lumens
- 20,000 Candela
- Up to 1.5 Hours of Runtime
- Activation is Programmable, Three Separate Modes Chosen by the User
- Ambidextrous Activation Paddles with Momentary Mode, Latching Mode, and Threshold Mode
- Flexcore Technology Allows The Light To Run Using; 1 x 16340 High-Capacity Li-ion Rechargeable Battery or 1 x CR123A Lithium Battery (optional, not included)
- Compact 6061 Aluminum Housing
- User Configurable Paddles for Switch Activation
- Lockout Mode
- 4-Position Sliding Rail Interface Inserts for Maximum Adjustment Range on the Firearm



PRODUCT IDENTIFICATION:

- A. Bezel
- B. Cross Bolt
- C. Activation Paddle
- D. E-Clip
- E. Rail Mount Keeper
- F. Rail Interface Insert



**WARNING UNLOAD/CLEAR**

PRIOR TO INSTALLATION, BATTERY CHANGE, OR MAINTENANCE, FOLLOW THE FIREARM OPERATOR'S MANUAL TO ENSURE THE FIREARM IS UNLOADED AND CLEARED. KEEP FIREARM POINTED IN A SAFE DIRECTION. FAILURE TO COMPLY COULD RESULT IN INJURY OR DEATH.

BATTERY INSTALLATION OR REMOVAL

1. Remove bezel by unscrewing it counterclockwise from the flashlight.





2. Insert 1 x 16340 High-Capacity Li-ion Rechargeable Battery or 1 x CR123A Lithium Battery into the battery compartment of the flashlight, positive (+) end first. Replace the bezel and turn it clockwise until fully tightened.



RECHARGING 16340 HIGH-CAPACITY LI-ION RECHARGEABLE BATTERY

To recharge the supplied 16340 rechargeable battery use the supplied Micro-USB cable and insert the Micro-USB end of the cable into the Micro-USB port on the battery. Insert the USB side of the cable into a USB outlet. When the battery is fully charged the LED on the (+) end of the battery will turn blue.





SELECTING AND INSTALLING THE PROPER RAIL INTERFACE INSERT

The FOXTROT2R comes with 2 sliding rail interface inserts. One is marked M1913 and is meant for any MIL-STD 1913 or similar rail. The other insert is marked OTHER and is meant for pistols with non-MIL-STD 1913 rail designs. To change out the rail interface insert, the FOXTROT2R must be completely disconnected from the rail.

1. Turn the cross bolt head clockwise with a flathead screwdriver until the small E-clip is exposed on the other end of the bolt.



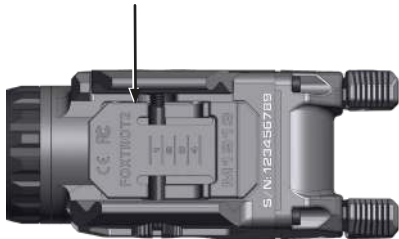
2. Use the included E-clip tool (with the word REMOVE face down) to push the E-clip off the end of the cross bolt, taking care not to lose the small E-clip.





3. Turn the cross bolt head counterclockwise until the cross bolt can be pulled completely out, taking care not to lose the wave spring that is on the cross bolt, or the rail mount keeper.
4. The rail interface insert can be positioned forward or back in 4 micro-adjustment positions. Providing maximum adjustment of the light on the rail. Test both rail interface inserts to determine which one has a recoil lug that fits securely into a slot on the firearm rail with the least amount of free play.

RAIL INTERFACE INSERT



MIL-STD 1913 RAIL INSERT



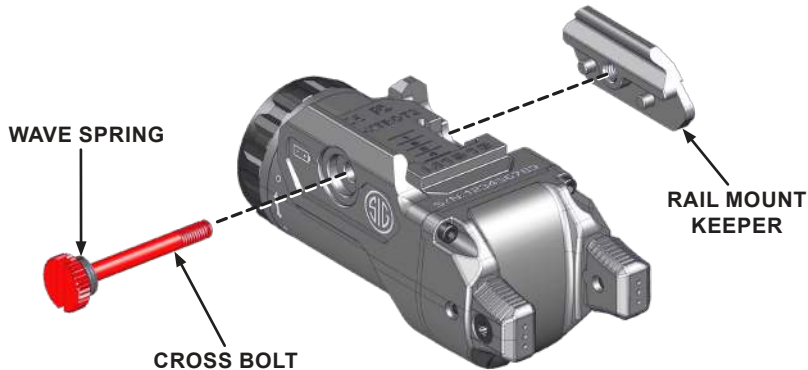
MARKED M1913

NON MIL-STD 1913 RAIL INSERT



MARKED OTHER

5. Put the correct rail interface insert into the slot on top of the light, reinsert the cross bolt with wave spring through the rail insert and thread it clockwise into the rail mount keeper.





6. Turn the cross bolt head completely clockwise to expose the groove on the end of the cross bolt. Use the E-clip tool (with the word INSERT face down) to slide the E-clip onto the groove on the end of the cross bolt.



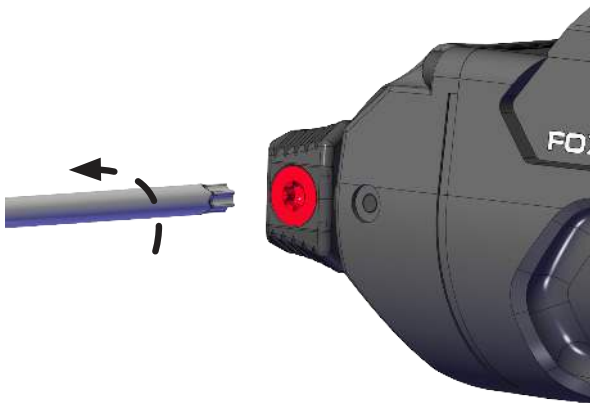
ACTIVATION PADDLE INSTALLATION

The FOXTROT2R comes with six different pairs of paddles. Each paddle is marked with dots on the end for easy identification and pairing. Dot identifications and descriptions are supplied on page 27 of this manual.

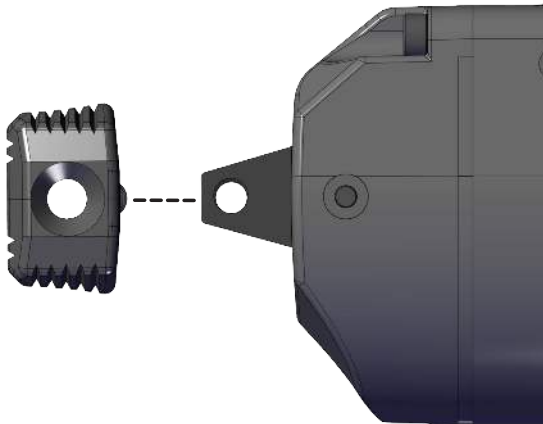




1. Remove the installed paddles on the FOXTROT2R by using the included T8 Torx wrench. To remove the screw, turn the screw in a counterclockwise direction until the screw is removed.



2. Select the desired paddle and slide it onto the switch post.

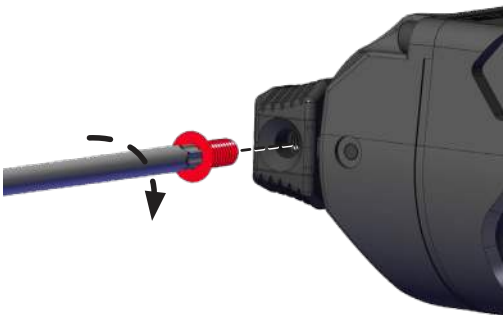




CAUTION

DO NOT OVERTIGHTEN SCREWS, DAMAGE TO SWITCH POSTS MAY RESULT

3. Once the paddle is installed, use the included T8 Torx wrench to hand tighten the screw.



INSTALLATION

1. Use a flathead screwdriver to turn the cross bolt head counterclockwise until it is stopped by the E-clip on the end of the bolt.

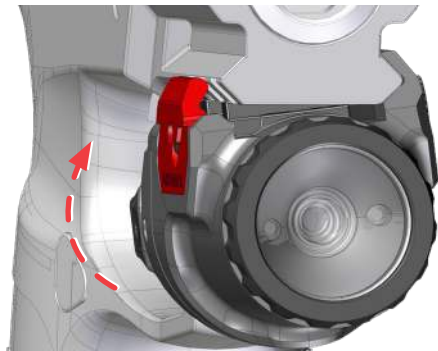




2. Press the head of the cross bolt to open up the rail clamp to it's maximum width.
3. Place the fixed side of the rail clamp against the firearm rail. Swing the light until the recoil lug of the rail interface insert is resting completely inside a slot in the firearm rail. Release the tension on the cross bolt head so that the rail mount keeper grabs onto the rail.



**FIXED SIDE OF
RAIL CLAMP**



4. Push forward on the FOXTROT2R (toward firearm muzzle) while tightening the cross bolt head completely clockwise until the light is secured onto the rail and cannot be moved forward or back.





OPERATION

The FOX TROT 2R is programmable with three modes of activation; momentary mode, latching mode, and threshold mode.

Momentary Activation - Pressing and holding the paddle switch, will turn light ON until you release the paddle switch.

Latching Activation - Pressing and releasing the paddle switch will turn light ON. The light will remain ON until you press and release the paddle switch again.

Threshold Mode - Threshold mode allows the user to operate the light with Momentary and Latching activation in a single mode. Please see Mode 3 (Threshold) for operation instructions.

To Select or Change Modes: Turn the light off, then push and hold both switch paddles up for five seconds. When paddles are held in the up position the light will blink once for Mode 1, twice for Mode 2, and three times for Mode 3. When the desired mode is indicated, release the paddles.

Mode 1 (Momentary):

Left & Right Paddle – Push down on paddle for momentary activation, Push up on paddle for latching activation.

Mode 2 (Latching):

Left & Right Paddle - Push up or down on paddle for latching activation.

Mode 3 (Threshold):

Left & Right Paddle - Allows operation in Momentary and Latching activation. To enter Latching activation press down and release the paddle switch within $\frac{1}{4}$ second (immediately). To turn the light OFF press up or down and release the paddle switch again. To operate Momentary activation press down and hold the paddle switch for more than $\frac{1}{4}$ second and the light will remain in the ON position until you release the paddle switch.

The FOXTROT2R contains a lockout feature, to prevent unintended activation of the light during storage or transport when a battery is installed. Turn the bezel approximately $\frac{1}{4}$ turn counterclockwise. Press either paddle, to determine if the lockout feature is properly set. The light should not turn on. If it does, continue turning the bezel counterclockwise until the light turns off.

NOTE

The FOXTROT2R will produce its peak brightness output upon initial activation, when using a fresh battery. If left on continuously, the light will get very warm and the brightness will gradually taper down over time, but will continue to produce usable levels of light for up to 1.5 hours, or until a fresh battery is installed.



CLEANING AND MAINTENANCE

After repeated firing, the lens may become clouded with gunpowder residue. For best results, it is recommended that this area be cleaned, along with the firearm, after each use. To clean the lens, follow these steps:

1. Keep firearm pointed in a safe direction
2. Ensure firearm is unloaded and cleared
3. Confirm light is off
4. In a small circular pattern use a soft, degreased, lint-free cloth to clean the lens. Be sure to clean around lens edge.
5. Apply dampened swab to lens and polish in a small circular pattern. Be sure to clean around lens edge.

Firearm should be cleaned and lubricated exactly as directed in your firearm owner's manual. Excess lubrication can interfere with the proper function of both firearm and FOXTROT2R Pistol Mounted White Light. The FOXTROT2R Pistol Mounted White Light should never be submerged or flushed with cleaning solvents.

FOXTROT2R™ SPECIFICATIONS	
Dimensions	2.79" L x 1.18" W x 1.3" H
Weight without battery	1.9 oz
Peak Lumen Output	700
Peak Candela	20,000
Battery	(1) 16340 High-Capacity Li-ion Rechargeable Battery
Activation Switch Type	Ambidextrous Activation Paddles with Momentary Mode, Latching Mode, and Threshold Mode
Water Resistance	IPX7



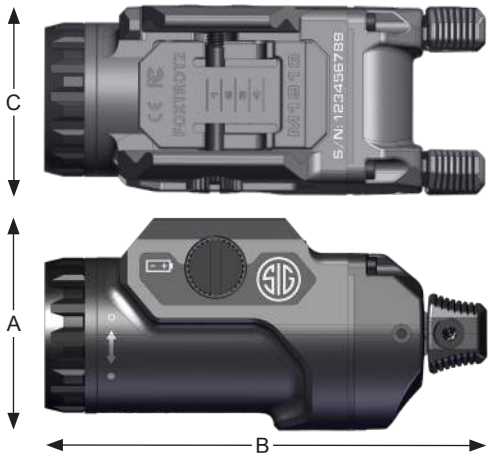
WARNING: CANCER AND REPRODUCTIVE HARM—www.P65warnings.ca.gov



NOTICE: Export restrictions may apply – This product may be controlled either by the ITAR or EAR.



A – 1.3 in
B – 2.79 in
C – 1.18 in



PADDLE DESCRIPTION	IDENTIFYING DOTS ON PADDLE
Small	1
Medium	2
Medium, Extended	3
Tall	4
Tall, High Clearance	5
Medium, High Clearance	6



SIG SAUER ELECTRO-OPTICS INFINITE GUARANTEE[®]/LIMITED LIFETIME WARRANTY



SIG SAUER[®] has manufactured the most rugged, dependable, high-performance firearms for more than two centuries. Our heritage of design, engineering, and precision-manufactured quality predates the existence of any other optics company worldwide. We understand the importance of quality in the line of fire, at the shooting range or on your next hunt. SIG SAUER Electro-Optics had to earn the right to wear that badge and the Infinite Guarantee has your back, forever. Period.

We will repair or replace your SIG SAUER product in the event it becomes damaged or defective, at no charge to you. If we cannot repair your product, we will replace it with a product in perfect working order of equal or better physical condition.

SIG SAUER[®] Infinite Guarantee[®]

- Unlimited Lifetime Guarantee
- Fully Transferable
- No Warranty Card Required
- No Receipt Required
- No Time Limit Applies
- No Charge

Please note that our Infinite Guarantee excludes coverage for intentional damage, misuse, cosmetic damage that does not affect the performance of the optic, loss, theft, or unauthorized repair or modification. Excludes electronic and Tritium components.

Customers seeking warranty coverage must first obtain a Return Merchandise Authorization (RMA) by contacting SIG SAUER Customer Service, and return the product unloaded and freight prepaid.

ANY WARRANTIES IMPLIED BY LAW, INCLUDING ANY IMPLIED WARRANTIES OF MERCHANTABILITY OR FITNESS FOR A PARTICULAR PURPOSE, ARE EXPRESSLY DISCLAIMED. REPAIR, ALTERATION, OR REPLACEMENT AS PROVIDED HEREIN IS YOUR EXCLUSIVE REMEDY FOR ANY DEFECTIVE PRODUCT. IN NO EVENT SHALL SIG SAUER OR ANY COMPANY AFFILIATED WITH SIG SAUER BE LIABLE FOR ANY SPECIAL, INCIDENTAL, OR CONSEQUENTIAL DAMAGES OF ANY KIND ARISING OUT OF THE PURCHASE OR USE OF THIS PRODUCT, WHETHER BASED UPON CONTRACT, TORT, STATUTE, OR OTHERWISE. Some states do not allow the exclusion or limitation of implied warranties, or the exclusion or limitation of incidental or consequential damages, so some or all of the above limitations or exclusions may not apply to you. This warranty gives you specific legal rights, and you may also have other rights which vary from State to State.

THIS WARRANTY APPLIES TO COMMERCIAL CUSTOMERS ONLY, AND DOES NOT APPLY TO GOVERNMENT, MILITARY, LAW ENFORCEMENT, OR NON-US CUSTOMERS. NON-US COMMERCIAL CUSTOMERS MUST PURCHASE PRODUCT THROUGH AN AUTHORIZED SIG SAUER DEALER WITHIN THEIR COUNTRY OF RESIDENCE FOR THIS WARRANTY TO APPLY.



SIG SAUER® ELECTRONIC COMPONENT LIMITED 5-YEAR WARRANTY



SIG SAUER warrants that the electronic and tritium components of the enclosed product were originally manufactured free of defects in workmanship, material, and mechanical function. For a period of five (5) years from the date of manufacture, SIG SAUER agrees to correct any defect in these components by repair, adjustment, or replacement, at SIG SAUER's option, with the same or comparable quality components (or by replacing the product at SIG SAUER's option); provided however that a Return Merchandise Authorization (RMA) is first obtained by contacting SIG SAUER Customer Service, and that the product is returned unloaded and freight prepaid.

This limited warranty is null and void if the product has been misused, damaged (by accident or otherwise), damaged through failure to provide reasonable and necessary maintenance as described in the user's manual, or if unauthorized repair or any alteration, including of a cosmetic nature, has been performed on the product. This limited warranty does not apply to normal cosmetic wear and tear of any parts.

ANY WARRANTIES IMPLIED BY LAW, INCLUDING ANY IMPLIED WARRANTIES OF MERCHANTABILITY OR FITNESS FOR A PARTICULAR PURPOSE, ARE EXPRESSLY DISCLAIMED. REPAIR, ALTERATION, OR REPLACEMENT AS PROVIDED HEREIN IS YOUR EXCLUSIVE REMEDY FOR ANY DEFECTIVE PRODUCT. IN NO EVENT SHALL SIG SAUER OR ANY COMPANY AFFILIATED WITH SIG SAUER BE LIABLE FOR ANY SPECIAL, INCIDENTAL, OR CONSEQUENTIAL DAMAGES OF ANY KIND ARISING OUT OF THE PURCHASE OR USE OF THIS PRODUCT, WHETHER BASED UPON CONTRACT, TORT, STATUTE, OR OTHERWISE.

Some states do not allow the exclusion or limitation of implied warranties, or the exclusion or limitation of incidental or consequential damages, so some or all of the above limitations or exclusions may not apply to you. This warranty gives you specific legal rights, and you may also have other rights which vary from State to State.

THIS WARRANTY APPLIES TO COMMERCIAL CUSTOMERS ONLY, AND DOES NOT APPLY TO GOVERNMENT, MILITARY, LAW ENFORCEMENT, OR NON-US CUSTOMERS. NON-US COMMERCIAL CUSTOMERS MUST PURCHASE PRODUCT THROUGH AN AUTHORIZED SIG SAUER DEALER WITHIN THEIR COUNTRY OF RESIDENCE FOR THIS WARRANTY TO APPLY.

SIG SAUER®

sigsauer.com

FOR PRODUCT SERVICE ON THIS MODEL, PLEASE CALL 603-610-3000

12100 SW Tualatin Rd, Tualatin, OR 97062 USA

All trademarks, service marks, trade names, trade dress, product names and logos appearing in this manual are the property of their respective owners. No trademark or service mark appearing in this manual may be used without written consent of the mark's owner.